


PRODUCT SHEET

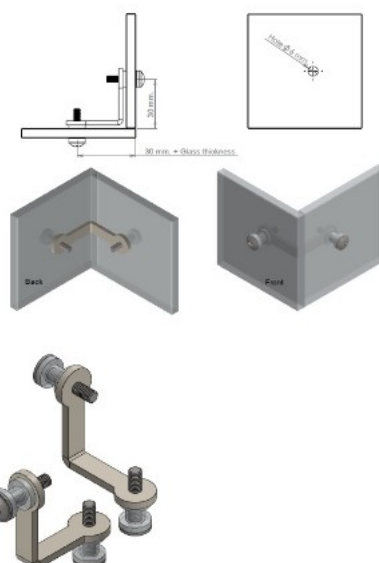
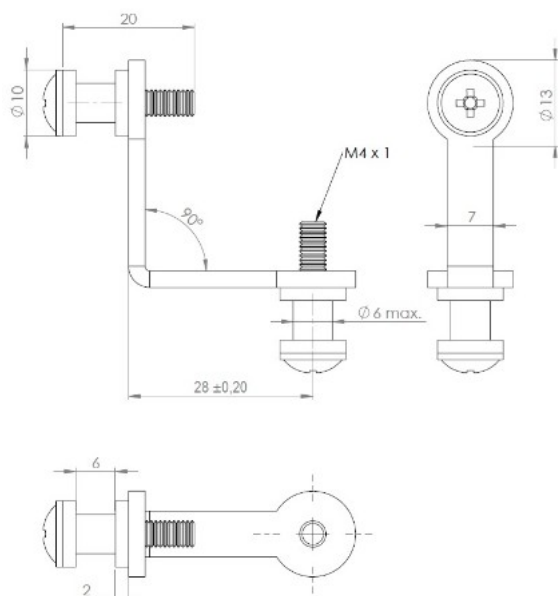
Description:

Glass/Glass Connector "Claw", 2-Way, Steel NPL 35x35mm, W/4 Transparent Washer & 2 Transparent Tubes & 2 BZP Screws, M4x20mm

Item number:

22.10.090-1

| Units | Box | Carton | HS Code | Barcode |
|---------------|-----|--------|------------|------------------------------------------------------------------------------------|
| Pcs. | 2 | 1000 | 8302420090 |  |
| 5704866498784 | | | | |



SISO A/S

Mileparken 11
DK-2740 Skovlunde
Denmark
VAT: 24786013

Phone +45 45 830 900

www.siso.dk
siso@siso.dk

Danske Bank
Nytorv Branch
Copenhagen
SWIFT: DABADKKK

Account no.
4180 3112 112936
IBAN Account
DK7230003112112936